

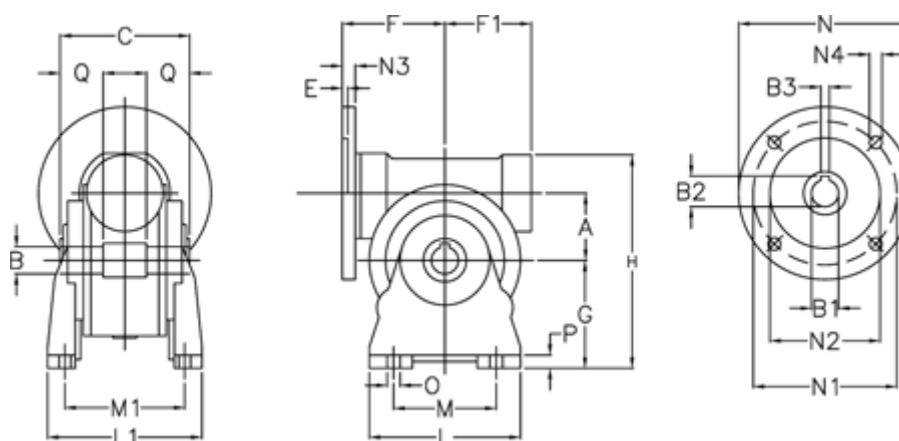
Data Sheet



Article number: 3902210010265

Description: Worm gear
VF 210-A-10-200B5, without lubrication

Measures



A	= 210	F1	= 277	N1	= 350
B	= 90 H7	G	= 335	N2	= 300
B1 E7	= 55	H	= 665	N3	= 25
B2	= 59.3	L	= 440	N4	= M16
B3 H9	= 16	L1	= 320	O	= 26
C	= 260	M	= 340	P	= 25
E	= 8	M1	= 265	Q	= 85
F	= 485	N	= 400		